



Reddi-Flex

Laminated
paper packaging

Maximum versatility

Smooth surface and interior along with optional protective coatings

Product protection

Reduce product damage throughout the transportation cycle

Ensures quick assembly

Eliminates pre-bending to save time

Highly Sustainable

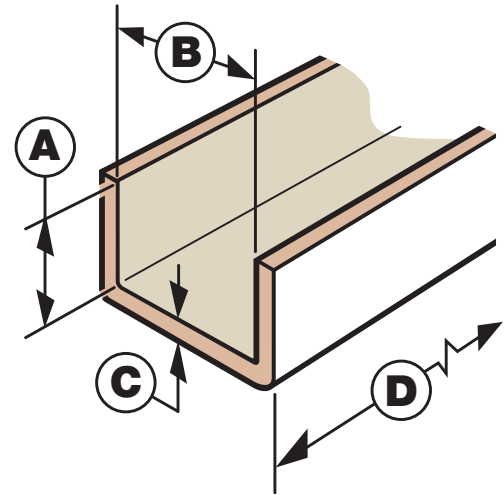
Manufactured with 100% recycled materials and is 100% recyclable

Reddi-Flex

Laminated paper packaging



Reddi-Flex laminated paperboard packaging helps reduce product damage that can occur during shipping and handling. Its fixed corners provide superior beam strength for maximum product protection and better package integrity.



Features and benefits

■ Maximizes efficiency

With preformed corners, Reddi-Flex is easier to handle than traditional flat products and doesn't require pre-bending during set-up, saving time. It stores and ships nested with solid corners, reducing shipping costs and requiring less floor space in the warehouse.

■ Highly versatile

Ideal for both internal and external package protection, Reddi-Flex can be used inside of a product carton to protect the contents from edge and corner damage as well as provide additional beam strength, making it suitable for e-commerce applications. As external protection, it provides product unitization as well as superior strength and protection for loads.

■ Application-specific solutions

Available in custom finishes and protective coatings, Reddi-Flex can be tailored to suit different product applications, including providing moisture resistance and corrosion protection. In addition, it can be custom printed, allowing product identification and point-of-sale merchandising.

Reddi-Flex Technical Specifications

A Leg Height	Available from 50-203 mm (2-8 in)
B Base Width	Available from 50-304 mm (2-12 in)
C Caliper	Available from 3.048-12.7 mm (.120-.500 in)
D Length	Available up to .45-12.1 m (1.5-40 ft)